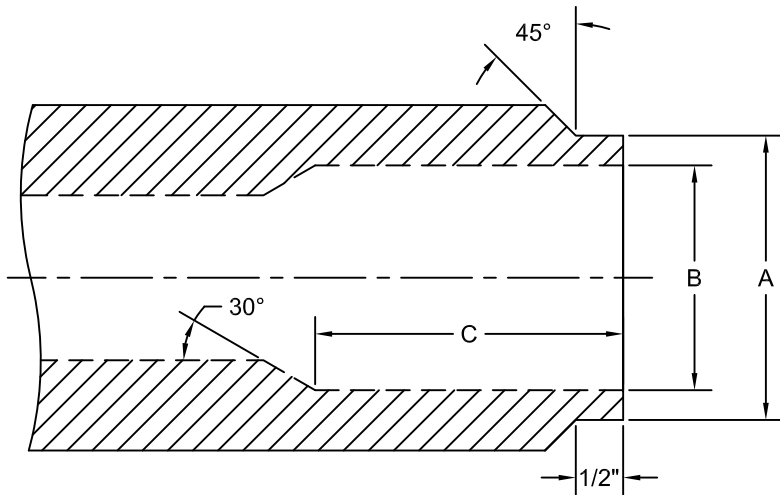


| BNFJ BLANKING DIMENSIONS |                     |                |                |                |                |                |                |
|--------------------------|---------------------|----------------|----------------|----------------|----------------|----------------|----------------|
| SIZE                     | WEIGHT<br>(LB./FT.) | O.D.           | I.D.           | BOX            | O.D.           | I.D.           | PIN            |
|                          |                     | A<br>(±0.010") | B<br>(±0.010") | C<br>(±0.125") | D<br>(±0.010") | E<br>(±0.010") | F<br>(±0.125") |
| 2 1/16"                  | 3.25                | 2.105          | 1.672-1.750    | 3.125          | 2.105          | 1.705          | 3.625          |
| 2 3/8"                   | 4.60                | 2.525          | 1.945          | 3.250          | 2.525          | 1.945          | 3.625          |
| 2 7/8"                   | 6.40                | 3.000          | 2.371          | 3.250          | 3.000          | 2.371          | 3.250          |
| 3 1/2"                   | 9.20                | 3.609          | 2.920          | 4.000          | 3.609          | 2.920          | 4.000          |
| 3 1/2"                   | 12.52               | 3.620          | 2.687          | 4.000          | 3.620          | 2.687          | 4.000          |
| 4 1/2"                   | 12.60               | 4.600          | 3.958          | 3.625          | 4.500-4.600    | 3.880          | 4.125          |

BOX BLANK



PIN BLANK

