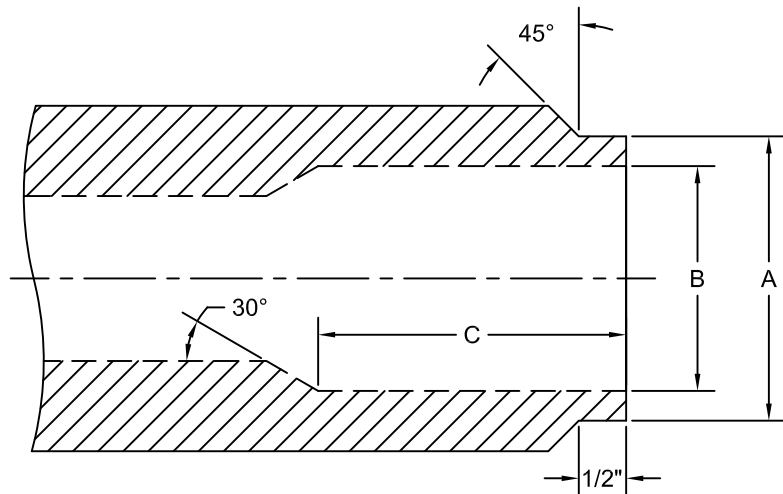


BTS - 6 BLANKING DIMENSIONS					
SIZE	WEIGHT (LB./FT.)	O.D.	I.D.	BOX	PIN
		A (±0.010")	B (±0.010)	C (+0.250 -0.125")	D (+0.250 -0.125")
2 3/8"	5.95	2.906	1.805	3.625	3.500
2 3/8"	6.20	2.938	1.795	3.625	3.500
2 3/8"	7.70	3.125	1.645	3.625	3.500
2 7/8"	7.90	3.438	2.265	3.750	3.500
2 7/8"	8.70	3.500	2.200	3.750	3.500
2 7/8"	9.50	3.625	2.130	3.750	3.500
2 7/8"	10.70	3.688	2.030	3.750	3.500
3 1/2"	12.95	4.313	2.687	4.125	3.750
3 1/2"	15.80	4.500	2.485	4.125	3.750
4"	13.40	4.625	3.275	4.125	3.750
4 1/2"	15.50	5.125	3.765	4.125	3.750
4 1/2"	19.20	5.313	3.560	4.125	3.750
5 1/2"	17.00	5.920	4.812	3.75 min.	3.75 min.
5 1/2"	20.00	6.000	4.698	3.75 min.	3.75 min.
5 1/2"	23.00	6.090	4.590	3.75 min.	3.75 min.

BOX BLANK



PIN BLANK

