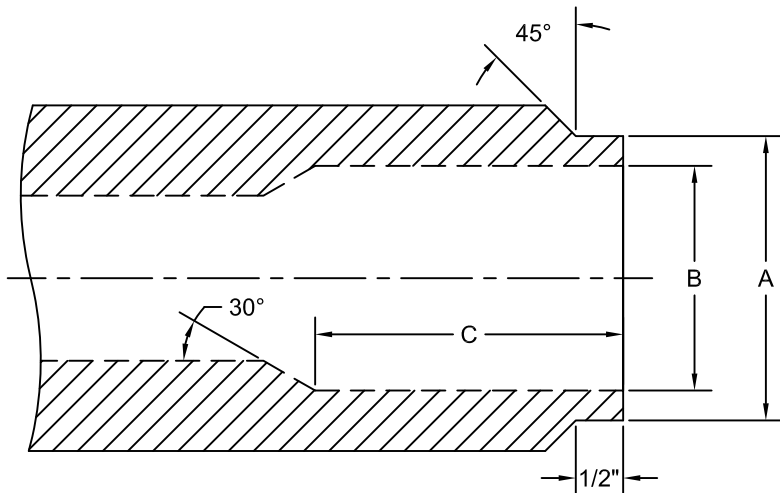


BTS - 8 BLANKING DIMENSIONS

SIZE	WEIGHT (LB./FT.)	O.D.	I.D.	BOX	PIN
		A (±0.010")	B (±0.010)	C (+0.250 -0.125")	D (+0.250 -0.125")
3/4"	1.20	1.327	0.687	2.750	2.625
3/4"	1.50	1.327	0.687	2.750	2.625
1"	1.80	1.552	0.970	2.750	2.625
1"	2.25	1.600	0.864	2.750	2.625
1 1/4"	2.40	1.883	1.300	2.750	2.625
1 1/4"	3.02	1.927	1.218	2.750	2.625
1 1/4"	3.24	1.927	1.200	2.750	2.625
1 1/2"	2.90	2.113	1.530	2.750	2.625
1 1/2"	3.64	2.162	1.440	2.750	2.625
1 1/2"	4.19	2.179	1.390	2.750	2.625
2 1/16"	3.25	2.335	1.700	2.750	2.625
2 1/16"	4.50	2.460	1.550	2.750	2.625
2 3/8"	4.70	2.700	1.945	3.000	2.750
2 3/8"	5.30	2.750	1.890	3.000	2.750
2 7/8"	6.50	3.220	2.371	3.000	2.875
3 1/2"	9.30	3.915	2.920	3.500	3.250
3 1/2"	10.30	3.915	2.870	3.500	3.250
4"	11.00	4.405	3.395	3.500	3.250
4 1/2"	12.75	4.920	3.865	3.625	3.250
4 1/2"	13.50	4.955	3.840	3.625	3.250

BOX BLANK



PIN BLANK

